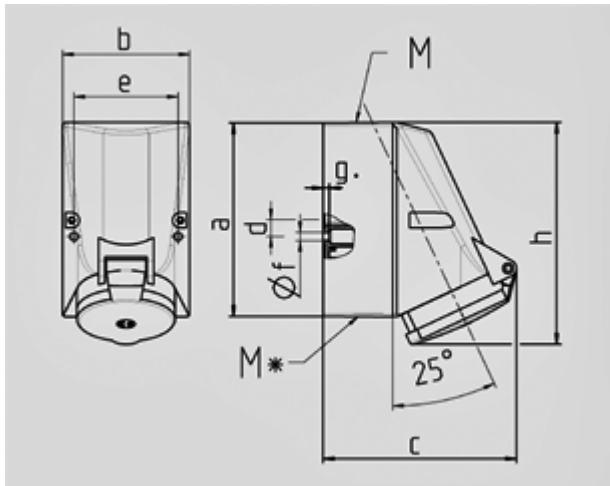


Wall mounted socket - Part no. 1421


- screw terminals
- internal fixing
- one cable entry at top, two blind cable entries (can be cut out) at the bottom
- enclosure base can be turned 180
- sockets are designed for adding an auxiliary contact switch
-

| | |
|-----------------------|-----------------|
| Protection type | 44 |
| Ampere | 32 A |
| Poles | 3p |
| Voltage | 230 |
| Hertz | 50-60Hz |
| Earth position | 6h |
| Contact | standard |
| Connection technology | Screw terminals |

Std. Pack. 10 Qty.



| Drawing | Amp. | 16 | | 32 | | |
|------------|---|----------------------------|-----|----------------------------|-------|-------|
| | | Poles | | 3 | 4 | 5 |
| 1 MB 43 | | 4 | 5 | | | |
| Dim. in mm | a | 128 | 128 | 128 | 128 | 128 |
| | b | 84 | 84 | 84 | 84 | 84 |
| | c | 122 | 124 | 136 | 136 | 138 |
| | d | 11 | 11 | 11 | 11 | 11 |
| | e | 68 | 68 | 68 | 68 | 68 |
| | f | 5,3 | 5,3 | 5,3 | 5,3 | 5,3 |
| | g | 4 | 4 | 4 | 4 | 4 |
| | h | 144 | 145 | 158 | 158 | 160 |
| | M | 25 | 25 | 32 | 32 | 32 |
| | M* | 2x25 (blind) to be cut out | | 2x25 (blind) to be cut out | | |
| | Max. cable diam. (mm) | 18 | 18 | 18/25 | 18/25 | 18/25 |
| | Terminal for cond. cross section (mm ²) min.-max. | 1,5 | 1,5 | 2,5 | 2,5 | 2,5 |
| | | -4 | -4 | -10 | -10 | -10 |