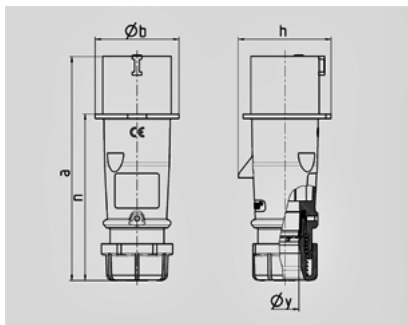


**Plug AM-TOP® - Part no. 247**


- screw terminals
- single part body
- cable gland and sealing
- strain relief and protection against kinking

Technical information	
Ampere	16 A
Poles	3 p
Voltage	110V V
Earth position	4 h
Hertz	50-60 Hz
Connection technology	Screw terminals
Contact	standard
Protection type	IP 44



Zeichnung 2 MB 217	Amp. Pole	16			32		
		3	4	5	3	4	5
Maße in mm	a	142	147	147	186	186	180
	b	53	59	67	70	70	77
	h	59	69,4	76	81	81	89,5
	n	105	110	110	141	141	135
	y	14,5	16	16	22	22	22
Klemmen für Leiterquer-		1	1	1	2,5	2,5	2,5
schnitt von bis mm²		—2,5	—2,5	—2,5	—6	—6	—6