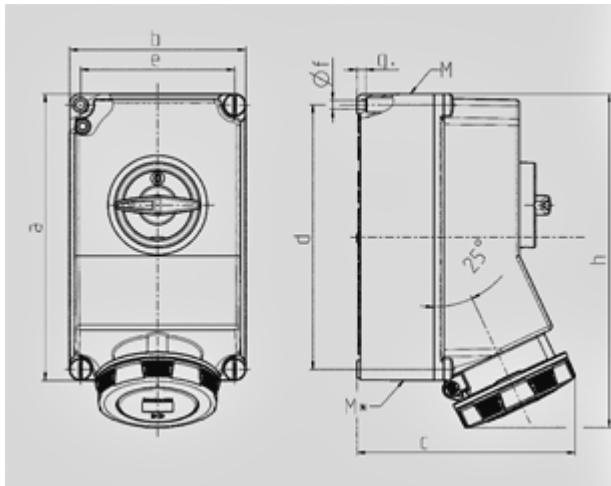


Wall mounted socket - Part no. 5113A


- screw terminals
- SoftCONTACT
- switched
- mechanical DUO-interlock
- sockets can be padlocked

Protection type	67
Ampere	63 A
Poles	5p
Voltage	400
Hertz	50-60Hz
Earth position	6h
Contact	standard
Connection technology	Screw terminals

Std. Pack. 3 Qty.



Drawing	Amp.	63		
		Poles		
1 MB 180		3	4	5
Dim. in mm	a	264	264	264
	b	163	163	163
	c	198	198	198
	d	240	240	240
	e	140	140	140
	f	8,1	8,1	8,1
	g	8	8	8
	h	303	303	303
	M	40	40	40
	M*	40	40	40
	Max. cable diam. (mm)	32	32	32
	Terminal for cond. cross section (mm ²) min.-max.	6	6	6
		-25	-25	-25