

LED high-bay luminaire

An IP65 single point suspension LED high bay luminaire. Offers a simple, direct and cost-effective one-for-one replacement of traditional HID high bay luminaires. Efficient LEDs (120 lm/W) combined with a lens technology offering UGR<25 and a beam angle of 65° to reduce waste light. The housing is carefully designed to allow air flow cooling of the luminaire to prevent the components from overheating and ensures optimum performance in industrial environments.

Materials:

Body: Aluminum die-cast, black (RAL 9017)

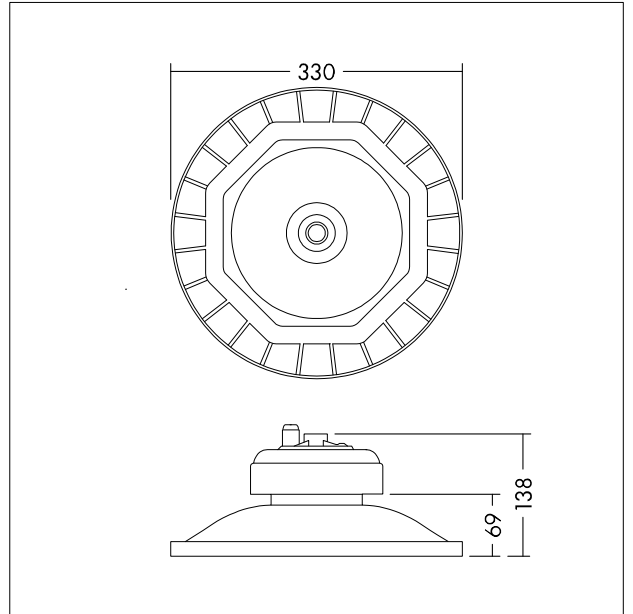
Lense: PC

Complete with 4000K LED, 18000lm. Class I electrical, IP65, IK08.

Weight: 3.8 kg



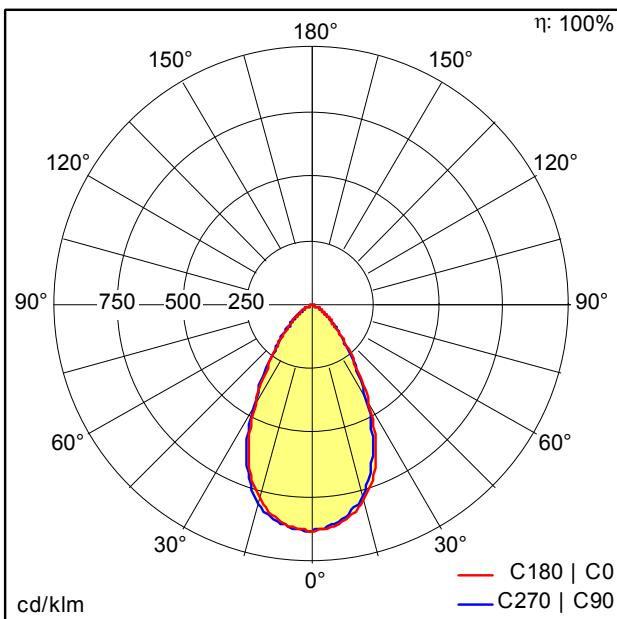
TE_GEOR_F_LED_330_persp.jpg



TE_GEOR_M_LED_330.wmf

Light Distribution

STD - standard



TE_GEORGE_LED_330_18000_840.idt

- Light Source: LED
- Luminaire luminous flux*: 18000 lm
- Luminaire efficacy*: 120 lm/W
- Colour Rendering Index min.: 80
- Correlated colour temperature*: 4000 Kelvin
- Chromaticity tolerance (initial MacAdam)*: 5
- Rated median useful life*: 50000h L70 at 25°C
- Ballast: 1x LED_Con
- Luminaire input power*: 150 W Lambda = 0.9