



# WOLF RECHARGEABLE TORCH

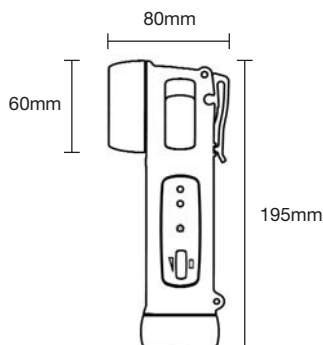
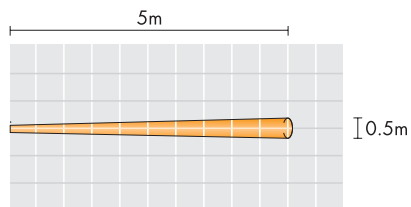
ATEX Directive  
94/9/EC  
Compliant



- ATEX approved for explosive gas and dust atmospheres
- High power LED or Halogen bulb versions for outstanding light output
- Compact and lightweight ergonomic torch design
- Two levels of light output give up to six hours duration
- Battery state-of-charge indicator
- Utilises latest battery technology, eliminates 'memory' affect
- Very low maintenance, quick and easy parts replacement
- Mains and vehicle quick charge options

**R-30**  
4W beam (approx 6°)  
Peak luminous intensity at 5m, 340lux

**R-50**  
3W LED beam (approx 6°)  
Peak luminous intensity at 5m, 360lux



IECEx

Now with R-55  
LED Zone 0

**The high-tech ATEX approved Wolf Rechargeable Torch range uses the latest technology to give excellent performance, robustness and reliability in the most extreme conditions.**

Wolf Rechargeable Torches are CE marked to the ATEX Directive and IECEx Certified, allowing use in Zone 1 or Zone 0 potentially explosive atmospheres, where a T4 temperature class permits.

The compact and lightweight Wolf Rechargeable Torch design has a high-grip ergonomic form with easy single handed switching, even with gloved hands. The high strength torch body has proven impact resistance even at sub zero temperatures. The rubber armoured lens ring and end cap

give enhanced grip and shock protection. The lens is resistant to scratches and chemical attack. The enclosure is sealed dust tight and protected from water immersion, with a certified IP67 enclosure. The right-angle body arrangement incorporates a replaceable high strength thermoplastic belt clip for hands free use.

Unique optics deliver a piercing beam with outstanding light output from the high power LED or the halogen bulb versions. Duration is over 3 hours; selecting half power doubles this duration. State of battery charge is indicated with a bar of high intensity red LEDs, which go out as battery charge diminishes. Towards the end of discharge, the

beam flashes off repeatedly, warning recharging is required. Use of the latest lithium-ion battery technology improves reliability and eliminates 'memory' affect.

The 'quick' charger is configured as a torch holder, with 'snap in/snatch out' function, for quick release but secure retention. The charger is powered by vehicle voltages, but can run from mains voltages when used with the mains power supply.

Very low maintenance and quick component replacement are key benefits of this product range. The LED light source is expected to last the product lifetime; the bulb is long life, a spare is supplied in the torch. All models are supplied with wrist straps and clip rings.

<b>Wolf Rechargeable Torch</b>				
<b>Technical Specification</b>				
Product reference	R-30	R-50	R-55	
Description	Rechargeable safety torch, right-angle			
	Zone 1 Halogen	Zone 1 LED	Zone 0 LED	
Code	II 2GD Ex e ib IIC T4 tD A21 IP67 T85°C	II 2GD Ex ib IIC T4 tD A21 IP67 T85°C	II 1G Ex ia IIC T4 IP67	
Apparatus standards	EN60079-0, EN60079-7, EN50020, EN61241-0, EN61241-1 IEC60079-0, IEC60079-7, IEC60079-11, IEC61241-0, IEC61241-1			
Type of protection	"e" increased safety, "ia/ib" intrinsic safety, "tD" protection by enclosure			
Area of classification (Gases)	Zones 1 and 2		Zones 0, 1 and 2	
	Gas groups IIA, IIB and IIC			
Temp. classification (Gases)	T4			
Area of classification (Dust)	Zones 21 and 22		-	
Max surface temp. (Dusts)	T85°C		-	
Temp. ambient	-20°C to +40°C			
Certificate	Baseefa05ATEX0068 IECEX BAS 05.0070	Baseefa05ATEX0069 IECEX BAS 06.0001		
Enclosure	Impact resistant thermoplastic, electrostatic non-hazardous			
Lens	Polycarbonate, impact resistant with hardcoat		Toughened glass 4mm	
Beam type	Spot			
Light source:	Pt. no.	<b>R-451</b>	-	
	Type	Halogen filled filament bulb	High power LED	
	Volts	6.0V	-	
	Watts	4 Watts	3 Watts	
	Output	54 lm	80 lm	
	Life	300 hours	25000 hours	
Power source:	Pt. no.	<b>R-271</b>		
	Type	Rechargeable battery, Lithium-Ion		
	Volts	7.4V		
	Capacity	2.4Ah		
	Life	Up to 500 recharge cycles		
Light duration	Up to 3.5/6.5 hours			
Ingress protection	IP67 to EN60529: 1992			
Weight (incl. cells)	0.340 Kg	0.375 Kg		
Torch with charger	12-24Vdc	<b>R-30L</b>	<b>R-50L</b>	<b>R-55L</b>
	110-254Vac	<b>R-30H</b>	<b>R-50H</b>	<b>R-55H</b>
Recharge time	3.0 hrs (90% in 1.5 hrs)			

Note: All information has been gathered under laboratory conditions, the user must regard the values given as approximate. The Company reserves the right to alter product specifications without prior notice.

## **WOLF SAFETY LAMP COMPANY**

**Saxon Road Works, Sheffield S8 0YA, England**

**Tel: +44 114 255 1051 Fax: +44 114 255 7988**

**E-mail: info@wolf-safety.co.uk Website: www.wolf-safety.co.uk**



**Wolf Safety Lamp Company**