

Finger-safe Fuse Holders for BS88 HRC Industrial Fuses

Description

A range of CSA certified IP20 finger-safe fuse holders for BS88 HRC industrial fuses in rating up to 400A.

Catalog Symbol

RS(AMP)(Connection Style/Color)

Ratings

Volts: Up to 690Vac/dc*
 Amps: 20, 32, 63, 100, 200 and 400
 SCCR: 80kA

* AC Ratings vary by holder ampacity. See product tables for details.

Maximum Operating Temperature: 40°C

Wire Type: 70°C PVC/Cu

Wire Range: 8AWG to 500MCM (10 to 240mm²)

Termination/Connection Styles:

- Front connected (20-400A)
- Back stud connected (20-400A)
- Front/back stud connected (20-400A)
- Back stud connected, flush mounted (20A)

Agency Information

- CSA 22.2 No. 39, Class 6225 01, File 47235
- IEC 60269-1 & IEC 60269-2

Flammability Rating: RS20H to RS63H, V-1
 RS100H to RS400H, V-0

Protection Level: IP20

Available Colors: Black, white, green and grey
 (available colors vary by ampacity)

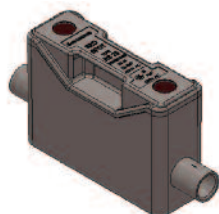


Features & Benefits

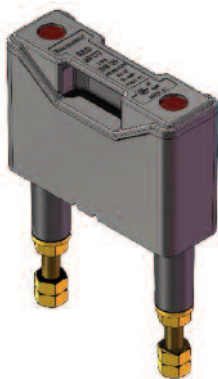
- Industry standard fuse holder for protecting utility and industrial installations for over 40 years
- Large, proven contact system and anti-vibration feature helps ensure perfect carrier contact alignment and superior electrical contact
- Conductor insulating sleeves help prevent inadvertent contact at the entry point while fully shrouded terminals deliver IP20 protection
- Molded parts made from flame-retardant, non-hygroscopic, high dielectric strength phenolic material
- A broad range of accessories and Bussmann fuses available for all Red Spot fuse holders

Available Termination/Connection Styles

Front Connected



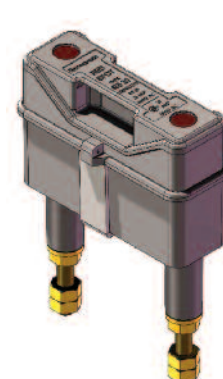
Back Stud Connected



Front/Back Stud Connected



Back Stud Connected -
Flush Mounted (20A only)



Red Spot Fuse Holders



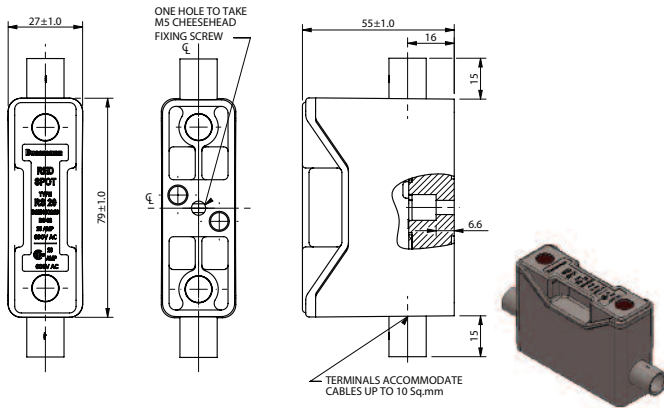
20 Amp Red Spot Holders

Red Spot Fuse Holder Part Numbers	Rated Amps	Volts			Max-Min Conductor Size AWG (mm ²)	Termination/Connection Styles	Min. Torque Lb-In (N•m)		Holder Color	Bussmann Fuse Family Symbol & Amp Range
		IEC Vac	CSA Vac	CSA Vdc			Conductors	Fuse Mount Screws		
RS20H	20	690	600	690	8-10 (10-2)	Front Connected	18 (2.03)	11 (1.24)	Black	_CIF21 (1-20A)
RS20HWH	20	690	600	690	8-10 (10-2)	Front Connected	18 (2.03)	11 (1.24)	White	
RS20HGN	20	690	600	690	8-10 (10-2)	Front Connected	18 (2.03)	11 (1.24)	Green	
RS20HGY	20	690	600	690	8-10 (10-2)	Front Connected	18 (2.03)	11 (1.24)	Grey	
RS20P/G	20	690	600	690	†	Back Stud Connected	†	11 (1.24)	Black	
RS20P/GWH	20	690	600	690	†	Back Stud Connected	†	11 (1.24)	White	
RS20P/GGN	20	690	600	690	†	Back Stud Connected	†	11 (1.24)	Green	
RS20P/GGY	20	690	600	690	†	Back Stud Connected	†	11 (1.24)	Grey	
RS20PH/G	20	690	600	690	8-10 (10-2) [†]	Front/Back Stud Connected	18 (2.03) [†]	11 (1.24)	Black	
RS20F	20	690	600	690	†	Back Stud Connected, Flush Mounted	†	11 (1.24)	Black	
RS20FWH	20	690	600	690	†	Back Stud Connected, Flush Mounted	†	11 (1.24)	White	
RS20FGN	20	690	600	690	†	Back Stud Connected, Flush Mounted	†	11 (1.24)	Green	
RS20FGY	20	690	600	690	†	Back Stud Connected, Flush Mounted	†	11 (1.24)	Grey	

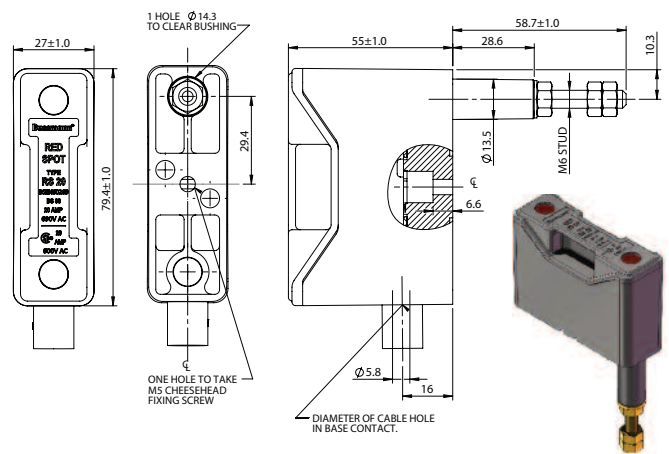
† Back stud connection requires use of customer supplied terminal lugs. Minimum/maximum conductor size and torque per terminal lug manufacturer.

Dimensions - mm

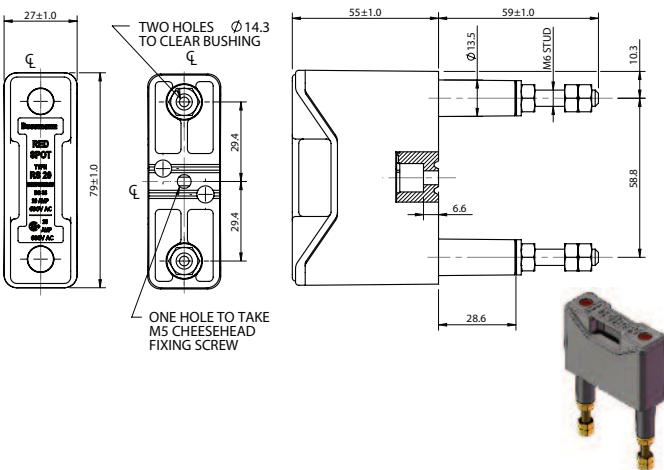
Front Connected



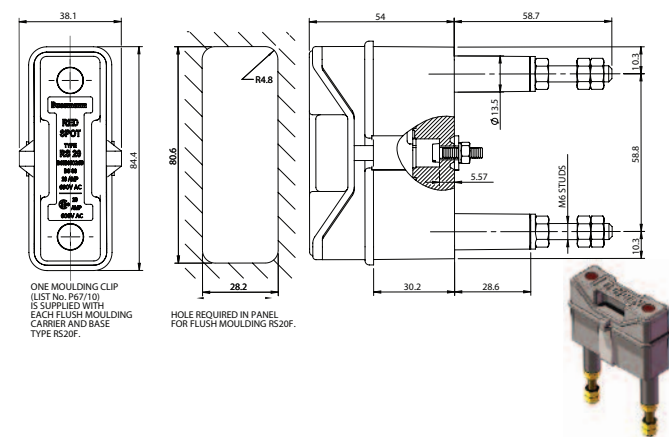
Front/Back Stud Connected



Back Stud Connected



Back Stud Connected, Flush Mounted



Accessories	Part Number
Padlockable Inserts	RS20LOCK
Red Warning Carriers	RS20RED