

# Bussmann series

## Red spot range centre bolted tags fuse links



### Product description

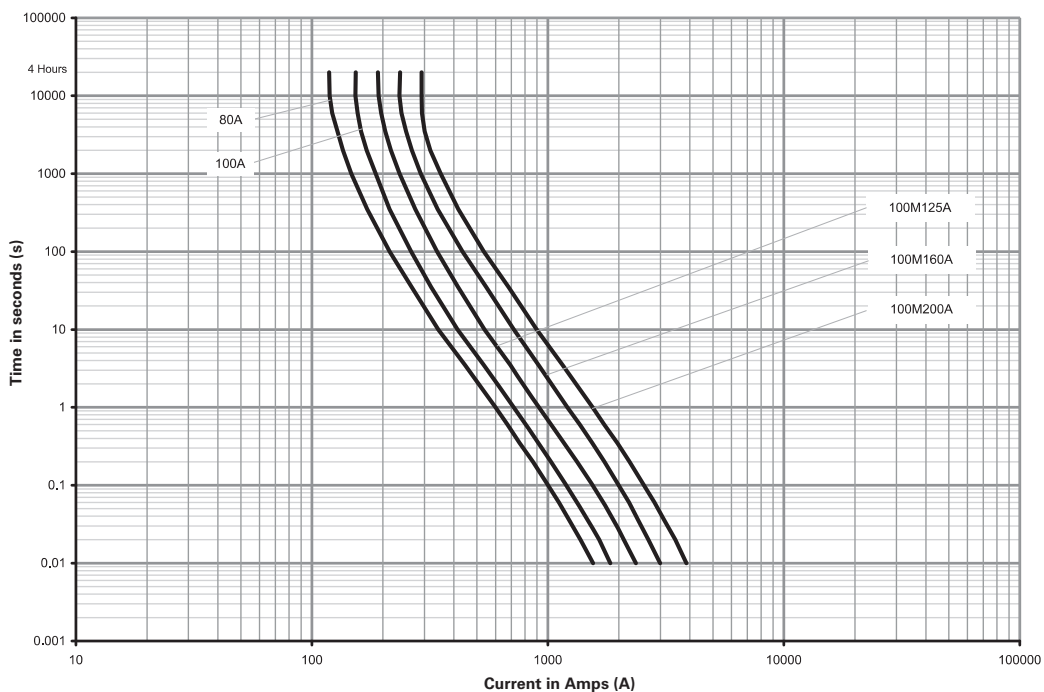
Eaton's Bussmann series Red Spot range of centre tagged BS fuse links (in sizes B1 to B4, C1 to C3 and D1) is specifically designed for the protection of general industrial applications, e.g. power distribution, cable protection, motor protection.

### Features

- Good peak and let-through current limitation
- 1:1.6 Selective coordinate ratio between 'downstream' and 'upstream' fuse
- Suitable for motor protection as gM ratings enhance the breaking capacity capability
- Power loss values well within the limits of IEC 60269

TC

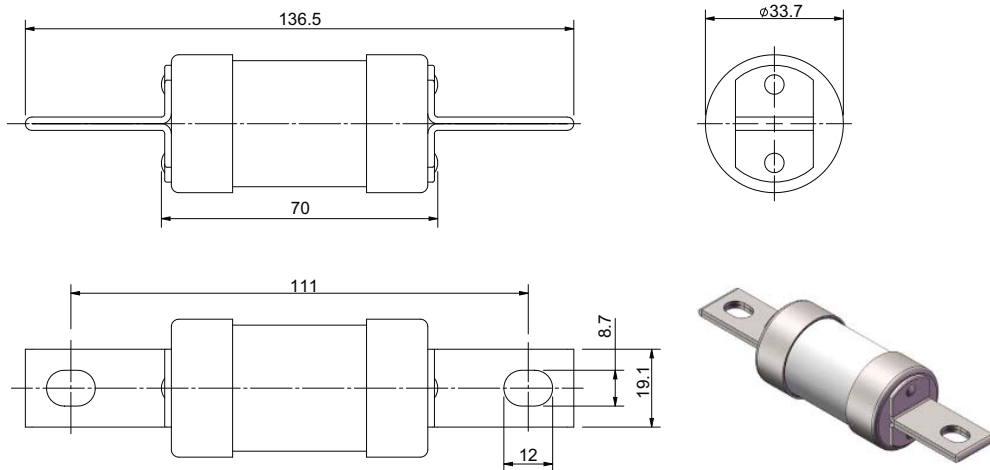
Time current curve



TF

Catalogue numbers	Rated voltage	Rated current (Amps)	BS reference	Breaking capacity	Operating class	I <sup>2</sup> t (A <sup>2</sup> s) x 10 <sup>3</sup>		Fixing centre (mm)	Pack quantity	Alternative fuse links	Compatible fuse holders
						Pre-arcing	Total at rated voltage				
TF125	660-690 V a.c./350 V d.c.	125	B2	80 kA	gG	25	140	111	10	M09-660	RS200
TF160		160		80 kA	gG	62	270			DD at 415 V a.c.	
TF200		200		80 kA	gG	105	430				
TF200M250	660-690 V a.c./460 V d.c.	200M250		80 kA	gM	200	870				
TF200M315	550 V a.c.	200M315		80 kA	gM	300	1050				

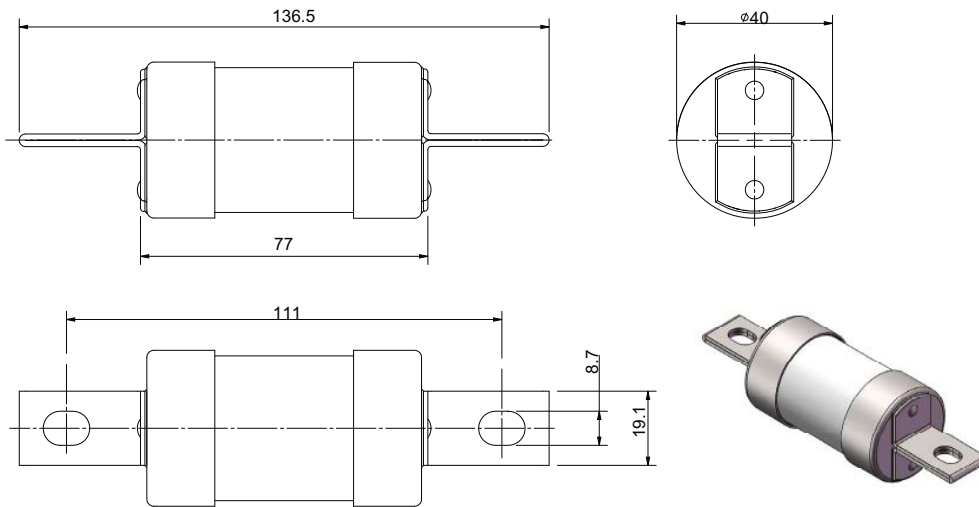
Dimensions - mm



TF125 to TF200

**TF**

**Dimensions - mm**



**TF200M250 and TF200M315**

**Time current curve**

