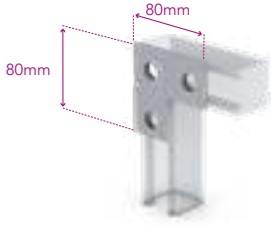

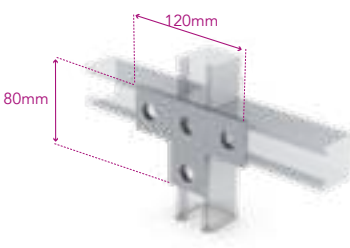

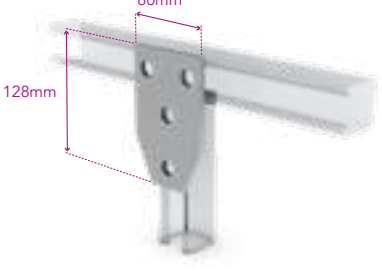

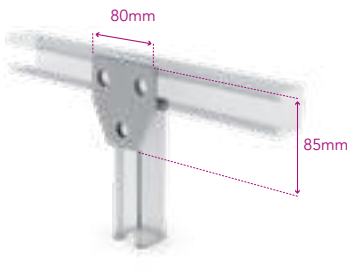

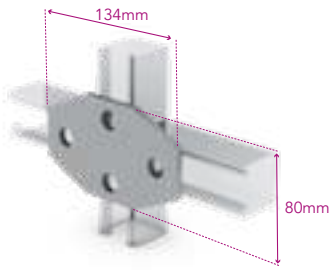

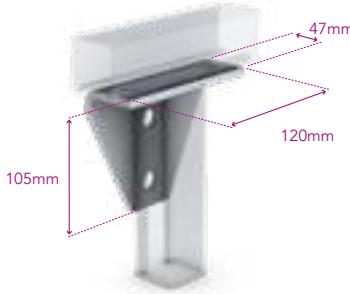

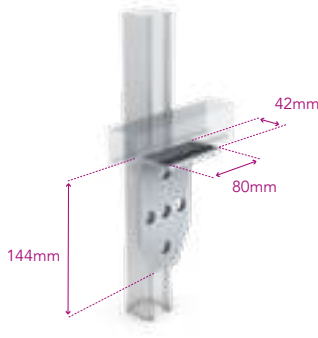

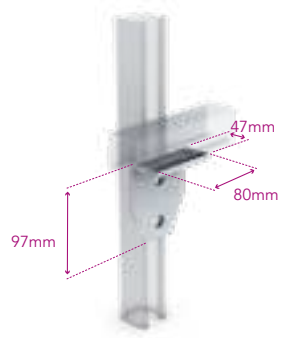



Flat Plate Brackets (cont.)

<p><b>'L' Shaped Bracket</b></p>  <p>Part No. <b>GA</b> 325AG10-GA Part No. <b>SS</b> 325AG10-SS</p> 	<p><b>'T' Shaped Bracket</b></p>  <p>Part No. <b>GA</b> 325AF13-GA Part No. <b>SS</b> 325AF13-SS</p> 	<p><b>Fish Plate Joiner</b></p>  <p>Part No. <b>GA</b> 325AF15-GA Part No. <b>SS</b> 325AF15-SS</p> 
<p><b>3 Hole Straight Bar</b></p>  <p>Part No. <b>GA</b> 325AF26-GA Part No. <b>SS</b> 325AF26-SS</p> 	<p><b>4 Hole Straight Bar</b></p>  <p>Part No. <b>GA</b> 325AF27-GA Part No. <b>SS</b> 325AF27-SS</p> 	

90° Angle Brackets

<p><b>Wing 90° Angle Plate</b></p>  <p>Part No. <b>GA</b> 325AQ10-GA Part No. <b>SS</b> 325AQ10-SS</p> 	<p><b>Large 90° Angle Plate</b></p>  <p>Part No. <b>GA</b> 325AQ11-GA Part No. <b>SS</b> 325AQ11-SS</p> 	<p><b>Medium 90° Angle Plate</b></p>  <p>Part No. <b>GA</b> 325AQ12-GA Part No. <b>SS</b> 325AQ12-SS</p> 
---	---	---