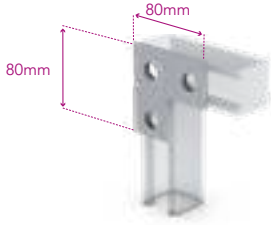

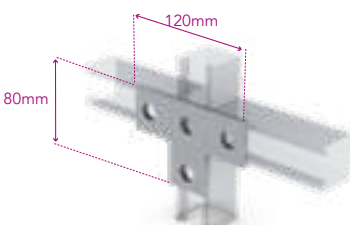

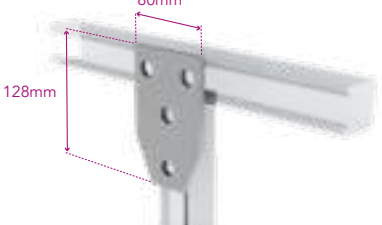

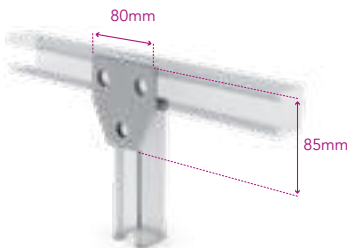

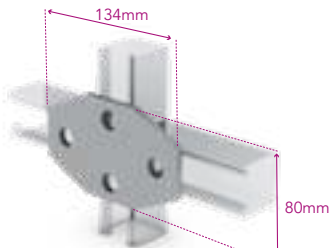

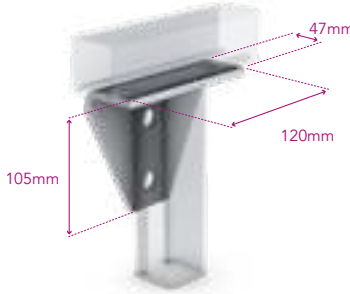

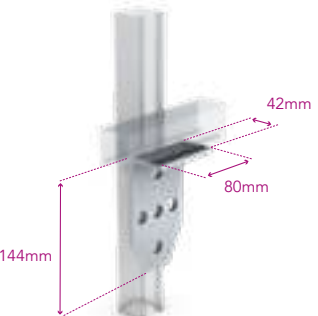

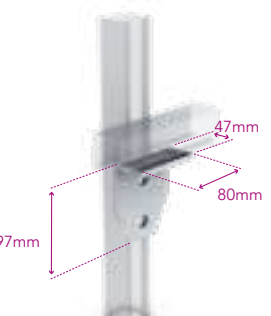



Flat Plate Brackets (cont.)

<p>'L' Shaped Bracket</p>  <p>Part No. GA 325AG10-GA Part No. SS 325AG10-SS</p> 	<p>'T' Shaped Bracket</p>  <p>Part No. GA 325AF13-GA Part No. SS 325AF13-SS</p> 	<p>Fish Plate Joiner</p>  <p>Part No. GA 325AF15-GA Part No. SS 325AF15-SS</p> 
<p>3 Hole Straight Bar</p>  <p>Part No. GA 325AF26-GA Part No. SS 325AF26-SS</p> 	<p>4 Hole Straight Bar</p>  <p>Part No. GA 325AF27-GA Part No. SS 325AF27-SS</p> 	

90° Angle Brackets

<p>Wing 90° Angle Plate</p>  <p>Part No. GA 325AQ10-GA Part No. SS 325AQ10-SS</p> 	<p>Large 90° Angle Plate</p>  <p>Part No. GA 325AQ11-GA Part No. SS 325AQ11-SS</p> 	<p>Medium 90° Angle Plate</p>  <p>Part No. GA 325AQ12-GA Part No. SS 325AQ12-SS</p> 
---	---	---