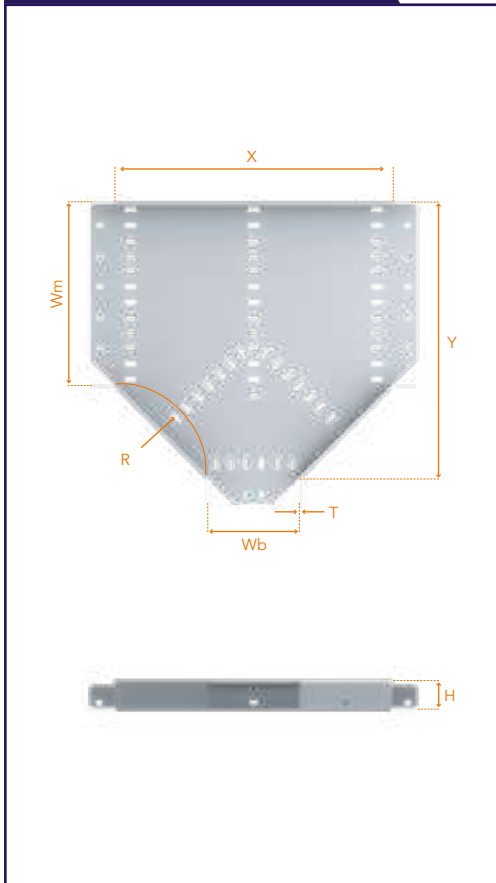


Heavy Duty Unequal Tees

Fitting Type: HR-UT



Gauge & weights are given for the hot dip galvanised mild steel cable tray, with a nominal standard sidewall height of 50mm. Refer to the Engineering Data Section (Page 227) for other materials and gauges.

○ = Select a Finish & Material

Finishes & Materials:



Supplied with:

SEE ENGINEERING DATA FOR NUMBER OF FIXINGS

Not Required:



Part Number	Main Width Wm mm	Branch Width Wb mm	T mm	R mm	X mm	Y mm	Weight (kg)
HR-UT-50-75-75R-○	50	75	0.9	75	229	128	0.42
HR-UT-50-100-75R-○		100			254	128	0.45
HR-UT-50-150-75R-○		150			304	128	0.54
HR-UT-50-200-150R-○		200	1.2	150	504	203	1.41
HR-UT-50-225-150R-○		225			529	203	1.49
HR-UT-50-300-150R-○		300			604	203	1.7
HR-UT-75-50-75R-○	75	50	0.9	75	204	153	0.43
HR-UT-75-100-75R-○		100			254	153	0.51
HR-UT-75-150-75R-○		150			304	153	0.6
HR-UT-75-200-150R-○		200	1.2	150	504	228	1.55
HR-UT-75-225-150R-○		225			529	228	1.64
HR-UT-75-300-150R-○		300			604	228	1.87
HR-UT-100-50-75R-○	100	50	0.9	75	204	178	0.48
HR-UT-100-75-75R-○		75			229	178	0.52
HR-UT-100-150-75R-○		150			304	178	0.66
HR-UT-100-200-150R-○		200	1.2	150	504	253	1.69
HR-UT-100-225-150R-○		225			529	253	1.78
HR-UT-100-300-150R-○		300			604	253	2.03
HR-UT-150-50-75R-○	150	50	0.9	75	204	228	0.58
HR-UT-150-75-75R-○		75			229	228	0.63
HR-UT-150-100-75R-○		100			254	228	0.68
HR-UT-150-200-150R-○		200	1.2	150	504	303	1.98
HR-UT-150-225-150R-○		225			529	303	2.08
HR-UT-150-300-150R-○		300			604	303	2.35
HR-UT-200-50-150R-○	200	50	1.2	150	354	353	1.62
HR-UT-200-75-150R-○		75			379	353	1.72
HR-UT-200-100-150R-○		100			404	353	1.83
HR-UT-200-150-150R-○		200	1.2	150	454	353	2.04
HR-UT-200-225-150R-○		225			529	353	2.36
HR-UT-200-300-150R-○		300			604	353	2.69
HR-UT-225-50-150R-○	225	50	1.2	150	354	378	1.71
HR-UT-225-75-150R-○		75			379	378	1.83
HR-UT-225-100-150R-○		100			404	378	1.94
HR-UT-225-150-150R-○		150	1.2	150	454	378	2.17
HR-UT-225-200-150R-○		200			504	378	2.4
HR-UT-225-300-150R-○		300			604	378	2.86
HR-UT-300-50-150R-○	300	50	1.2	150	354	453	2.02
HR-UT-300-75-150R-○		75			379	453	2.15
HR-UT-300-100-150R-○		100			404	453	2.29
HR-UT-300-150-150R-○		150	1.2	150	454	453	2.56
HR-UT-300-200-150R-○		200			504	453	2.82
HR-UT-300-225-150R-○		225			529	453	2.95