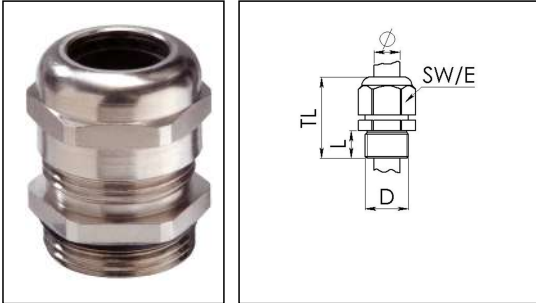


MSKV 9

Cable gland, brass nickel-plated, Pg 9



Products may differ in size, colour and appearance to those shown. If you require further information or customisation, please contact us directly.



| | |
|---------------------------------|---------------------------|
| Material cable gland | Brass nickel-plated |
| Material clamping cage | Polyamide |
| Material sealing gasket | TPV |
| Temp. range min | -40 °C |
| Temp. range max | 100 °C |
| Protection class | IP69, IP68 (5 bar 30 min) |
| Thread type | PG |
| Ø Connection thread D | 9 |
| Length screw-in thread L | 6 mm |
| Ø cable diameter min | 4 mm |
| Ø cable diameter max | 8 mm |
| Key width SW | 17 mm |
| Collar diameter (E) | 19 mm |
| Total length TL | 21 mm - 25 mm |
| Install. torques fitting | 12 N m |
| Install. torques cap nut | 8 N m |
| Impact category | 6 |
| Surface | Nickel-plated |
| Order no. nickel-plated | 10062282 |
| Type | MSKV 9 |
| Packing unit | 50 |
| ETIM-Classification | EC000441 |

Your Contact:

WISKA Hoppmann GmbH

Kisdorfer Weg 28 · 24568 Kaltenkirchen · Germany

☎ +49-4191-508-0 · 📠 +49-4191-508-209

contact@wiska.de · www.wiska.com

Recommended accessories

MMU 9

10062142

31.03.2020

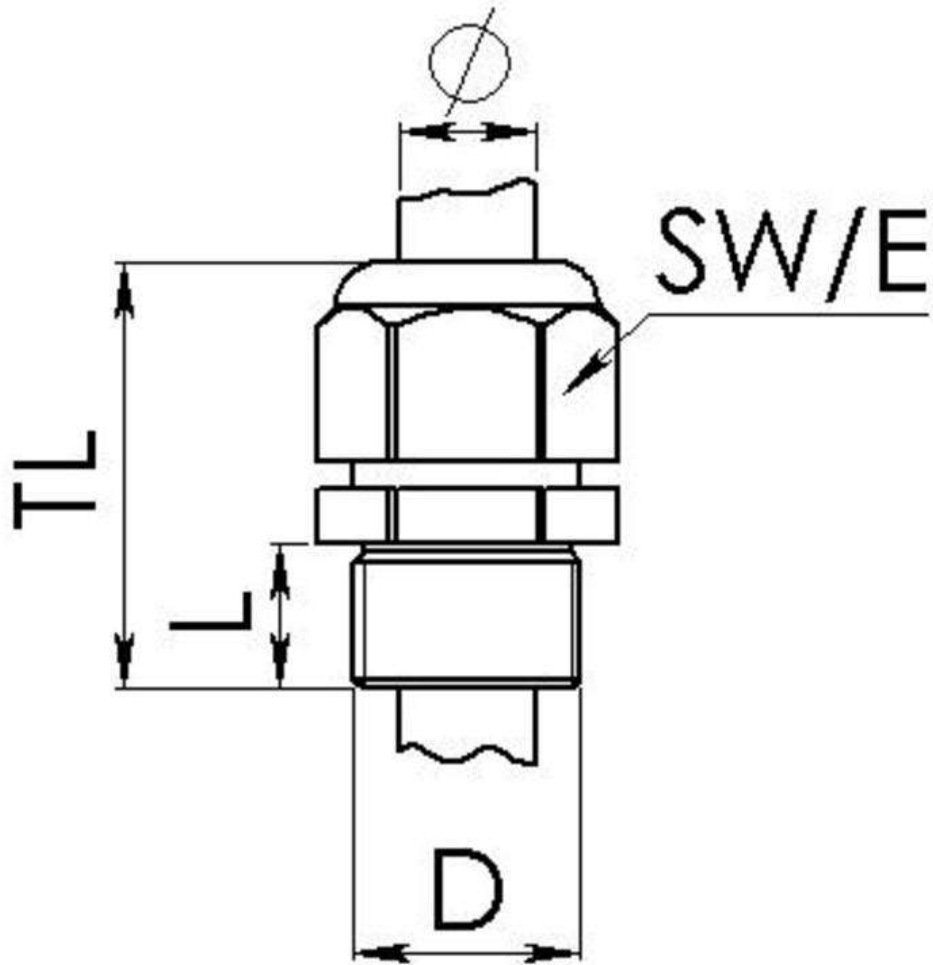
Your Contact:

WISKA Hoppmann GmbH

Kisdorfer Weg 28 · 24568 Kaltenkirchen · Germany

☎ +49-4191-508-0 · 📠 +49-4191-508-209

contact@wiska.de · www.wiska.com



Your Contact:

WISKA Hoppmann GmbH

Kisdorfer Weg 28 · 24568 Kaltenkirchen · Germany

☎ +49-4191-508-0 · 📠 +49-4191-508-209

contact@wiska.de · www.wiska.com