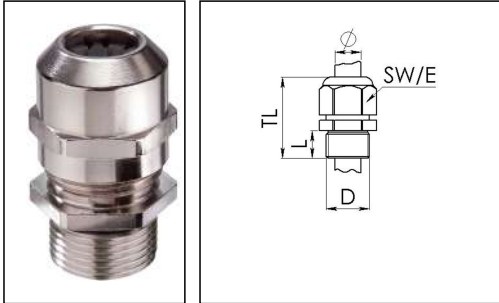


EMSKV-L 20

Cable gland, brass nickel-plated, M20, with long thread



Products may differ in size, colour and appearance to those shown. If you require further information or customisation, please contact us directly.



| | |
|--------------------------|---------------------------|
| Material cable gland | Brass nickel-plated |
| Material clamping cage | Polyamide |
| Material sealing gasket | EPDM |
| Temp. range min | -40 °C |
| Temp. range max | 100 °C |
| Protection class | IP68 (5 bar 30 min), IP69 |
| Thread type | M |
| Ø Connection thread D | 20 |
| Lead | 1,5 |
| Length screw-in thread L | 12 mm |
| Ø cable diameter min | 6 mm |
| Ø cable diameter max | 13 mm |
| Ø cable diameter UL | 7,5 mm - 11,3 mm |
| Key width SW | 24 mm |
| Collar diameter (E) | 27 mm |
| Total length TL | 35 mm - 43 mm |
| Type of cable anchorage | A |
| Install. torques fitting | 8 N m |
| Install. torques cap nut | 8 N m |
| Impact category | 6 |
| Surface | Nickel-plated |
| Order no. nickel-plated | 10065010 |
| Packing unit | 50 |
| Type | EMSKV-L 20 |
| ETIM-Classification | EC000441 |

Your Contact:

WISKA Hoppmann GmbH

Kisdorfer Weg 28 · 24568 Kaltenkirchen · Germany

☎ +49-4191-508-0 · 📠 +49-4191-508-209

contact@wiska.de · www.wiska.com

Recommended accessories



| | |
|----------------------|----------|
| MFD 20/02/065 | 10060953 |
| RDE 20 | 10062185 |
| EMMU 20 | 10063143 |
| BS 13 | 10064010 |
| MFD 20/03/040 | 10064341 |
| MFD 20/02/060 | 10064395 |
| MFD 20/02/050 | 10101015 |
| MFD 20/03/045 | 10102306 |

31.03.2020

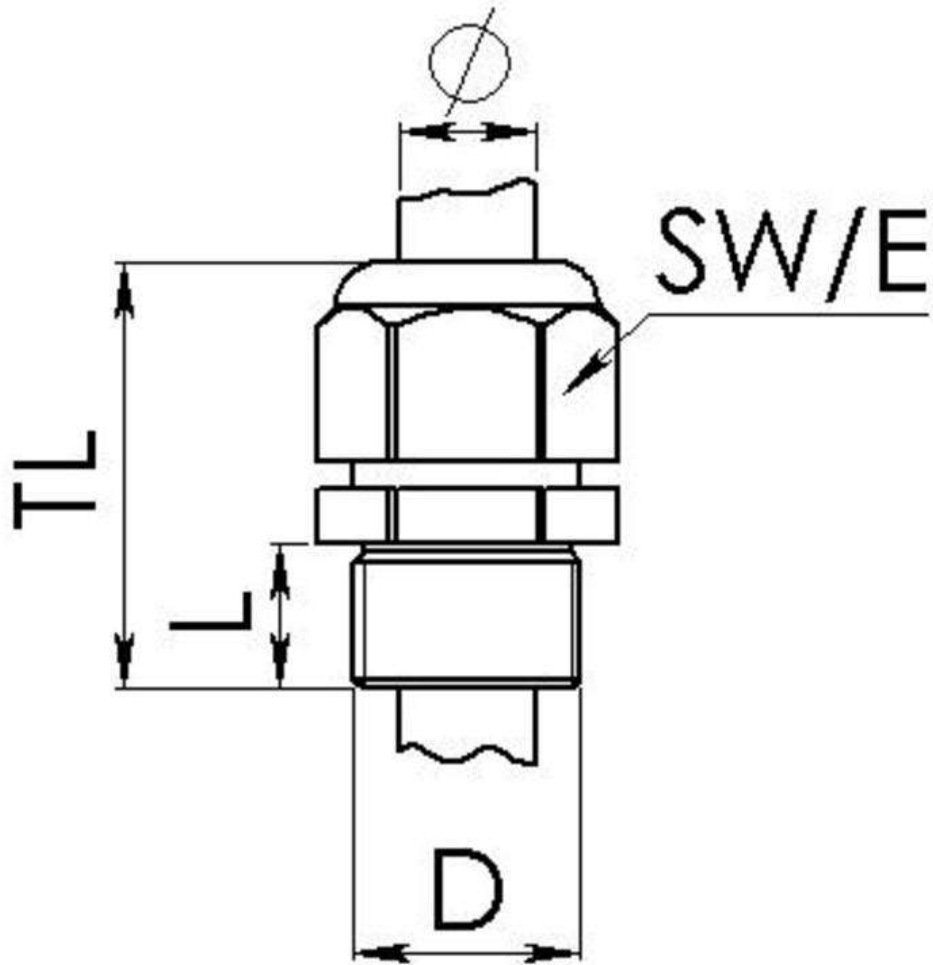
Your Contact:

WISKA Hoppmann GmbH

Kisdorfer Weg 28 · 24568 Kaltenkirchen · Germany

 +49-4191-508-0 ·  +49-4191-508-209

contact@wiska.de · www.wiska.com



Your Contact:

WISKA Hoppmann GmbH

Kisdorfer Weg 28 · 24568 Kaltenkirchen · Germany

☎ +49-4191-508-0 · 📠 +49-4191-508-209

contact@wiska.de · www.wiska.com